



marine air conditioning

self-contained unit
chiller | fan coil unit



www.ikarusair.com



company profile

SINCE 2004



Our company Pratikel, combining the market and product experience of 18 years in the marine air conditioning sector, has been established in Izmir, Turkey, in 2004.

We defined our carina by R&D developments year by year. Started to export in the global market in 2005. Further, switchboard cabinet cooling systems, submarine air conditioning, special armory room conditioning for Navy, underwater air conditioning for Island Resorts, caravan air conditioning and many customized projects by hard working and never give up strategies for many years. Pratikel has been always a company name of a principal of a trustworthy relationship. And finally, in 2019, we called the upgraded high performed blow of Pratikel on the seawaters by IKARUS brand. Therefore, we would like to expand our business with the past and future worldwide partners under the wings of IKARUS.

In 2020, as the pandemy occurs, indoor unit of our series are equipped with fresh air mixing section in order to obtain a more healthy atmosphere for IKARUS users. More information on the pandemy AC can be found on page 7 in this catalogue.

Advantage of our design and market experience in the field, you will notice our disputed product quality and cost effectiveness. Also, by our flexibility on special purpose air conditioning systems, we are very responsive to your tailor made projects as well as standard AC requirements.

Our goal is to keeping our dynamic and practical R&D solutions alive all the time and having long term partnerships in all international markets, carrying our reputation to the future by IKARUS comfort of Pratikel's 18 years experience.

www.ikarusair.com





self contained unit



IKARUS ISC self contained units have 8 capacity ranges from 6,000 up to 36,000 btu/h cooling capacity. By PC301 digital control unit, your finger touches are able to control the climate of your conditioned room anytime.



IKARUS ISC self contained air conditioners are manufactured with 304 class drain pan, evaporator cabinet and fixing parts. Cu-Ni condenser, blue hydrophilic epoxy coated Cu/Al evaporator. By this way, they have high resistance to the seawater in the long term. Your IKARUS ISC unit is also easy to be installed by 3 fixing elements on a convenient space. Fan has horizontal and vertical outlet options. Compressor and connections allow an easy access to the body of the unit during the service.

Units are reverse-cycle as standard, having all components in a single chassis under compact design of 18 years engineering in the field. Sound level is excellent by the Class Rotary Compressors and quality components that we use.

Since 2020, after pandemy is occrued, ISC series have fresh air mixture section for the prevention of long period closed circuit. Once the top of the unit is used for blowing of the fan, side gap remains for fresh air inlet, vice verse if the side gap is used for fan blow, top gap is used for fresh air inlet.

MODEL NO	ISC06	ISC10	ISC13	ISC16	ISC19	ISC24	ISC30	ISC36
Cooling Capacity (Btu/h)	6,000	9,500	12,500	16,000	19,000	24,500	30,000	36,000
Heating Capacity (Btu/h)	6,300	9,700	12,800	16,200	21,000	27,000	33,000	39,500
Power Supply	220-240 / 1 Ph / 50 Hz							
Power Consumption (Watt)	580	836	1034	1430	1804	2310	2700	3040
Operating Current (A)	2.63	3.8	4.7	6.5	8.2	10.5	12.1	13.80
Duct Diameter (mm)	100	125	125	150	150	150	2x150	2x180
Refrigerant-Control	R134a / R410a / R407c HFC - Capillary Tube							
Height (mm)	295	320	345	370	370	395	500	500
Length (mm)	545	560	560	625	625	660	740	840
Width (mm)	295	340	340	450	450	450	530	530
Weight (kgs)	22	29	30	38	48	50	76	87
Air Flow (m3/h)	200	380	450	600	750	900	1,300	1,500
Condenser Pipe Dia (mm)	3/4"(19)							
Drainage Pipe Dia (mm)	3/4"(19)							
Condenser Water Flow (lt/min)	7	11	13	15	19	22	35	42

CAPACITIES ARE BASED ON:
COOLING Room Conditions : 19.5°C / 27°C (WB/L Seawater Conditions : 28°C
HEATING Room Conditions : 16°C / 22°C (WB/DE Seawater Conditions : 8°C

PRATIHEL may change the technical specifications and sizes without any prior notice.

ISC unit box includes > PC301 control unit,
 > Air outlet adaptor,
 > 3xbase fixing part.



Seawater pump for all models are available optionally.



Each ISC unit is tested, quality assured and packed safely before leaving IKARUS facilities.



chilled water unit



IKARUS ICW series chilled water units are designed and manufactured under project basis. Danfoss Control System is used, where the compressors are economically operates in order, as well as the compressor start is realized one by one to keep genset supply optimum. Another second control for the wheelhouse may be obtained upon request, in order to observe the chiller operation remotely.

IKARUS ICW chillers are manufactured with 304 class cabinet and fixing parts, 90/10 Cu-Ni condenser and 316 class plate type heat exchanger. Units are reverse-cycle as standard. By capacity there is no limit as long as the space is available, as the starting range is 16,000 btu/h for monophase and 30,000 btu/h for threephase models.

You can combine ICW series with IFC series fan coil units that are installed each conditioned room, having control units individually. According the required project specifications, inverter versions of chilled water units are also manufactured.

MODEL NO	ICW-M16	ICW-M20	ICW-M24	ICW-M27	ICW-M32	ICW-M40	ICW-M48	ICW-M54
Cooling Capacity (Btu/h)	16,000	20,000	24,000	27,000	32,000	40,000	48,000	54,000
Heating Capacity (Btu/h)	17,000	21,200	25,400	28,600	34,000	42,400	50,900	57,200
Operating Current (A)	7	8.1	8.8	11.2	14	16.2	17.6	22.4
Starting Current (A)	29	32	45	54	36	40	54	65
Power Supply	230 V / 1Ph /50-60 Hz							
Chilled Water Flow (cbm/h)	0.9	1.2	1.55	1.75	1.8	2.4	3.1	3.5
Seawater Flow (cbm/h)	1.20	1.50	1.80	1.92	2.4	3	3.6	3.85
Chilled Water Pipe Dia (mm)	3/4"	3/4"	3/4"	1"	1"	1"	1-1/4"	1-1/4"
Seawater Pipe Dia (mm)	3/4"	3/4"	3/4"	3/4"	2x3/4"	2x3/4"	2x3/4"	2x3/4"
Refrigerant	R134a / R410a / R407c							
Height (mm)	400	400	450	450	400	400	450	450
Length (mm)	400	400	400	450	700	700	700	750
Width (mm)	375	375	375	375	425	425	450	450
Weight (kgs)	36	38	42	46	68	72	80	90

ICW Mono Phase chilled water unit
230 V/1 Ph/50-60 Hz Power Supply

ICW Single Comp
chilled water unit

MODEL NO	ICW-1T30	ICW-1T36	ICW-1T48	ICW-1T60	ICW-1T72	ICW-1T80	ICW-1T100	ICW-1T120
Cooling Capacity (Btu/h)	30,000	36,000	48,000	60,000	72,000	80,000	100,000	120,000
Heating Capacity (Btu/h)	31,800	38,200	50,900	63,500	76,400	84,800	106,000	127,200
Operating Current (A)	3	3.6	5.3	6.2	7.1	8.8	10.5	12.5
Starting Current (A)	5.6	7	8.5	10	11.4	13	16	19
Power Supply	380-440V / 3Ph /50-60 Hz							
Chilled Water Flow (cbm/h)	1.5	1.8	2.3	3	3.96	4.5	5.4	6.3
Seawater Flow (cbm/h)	2.20	2.60	3.50	4.4	5.2	5.76	7.2	8.7
Chilled Water Pipe Dia (mm)	1"	1"	1"	1-1/4"	1-1/4"	1-1/4"	1-1/4"	1-1/4"
Seawater Pipe Dia (mm)	1"	1"	1"	1-1/4"	1-1/4"	1-1/4"	1-1/4"	1-1/2"
Refrigerant	R134a / R410a / R407c							
Height (mm)	525	425	500	500	500	600	600	700
Length (mm)	500	500	550	550	550	725	725	750
Width (mm)	450	450	500	550	600	775	775	775
Weight (kgs)	80	83	90	95	95	120	135	135

MODEL NO	ICW-2T60	ICW-2T72	ICW-2T96	ICW-2T120	ICW-2T144	ICW-2T160
Cooling Capacity (Btu/h)	60,000	72,000	96,000	120,000	144,000	160,000
Heating Capacity (Btu/h)	63,600	76,300	102,000	127,200	152,600	169,600
Operating Current (A)	6	7.2	10.6	12.4	14.2	17.6
Starting Current (A)	11.2	14	17	20	22.8	26
Power Supply	380-440V / 3Ph /50-60 Hz					
Chilled Water Flow (cbm/h)	3	3.6	4.6	7	8	9
Seawater Flow (cbm/h)	4.4	5.2	7	8.8	10.4	11.5
Chilled Water Pipe Dia (mm)	1-1/4"	1-1/4"	1-1/4"	1-1/4"	1-1/4"	1-1/2"
Seawater Pipe Dia (mm)	2x1"	2x1"	2x1"	2x1"	2x1-1/4"	2x1-1/4"
Refrigerant	R134a / R410a / R407c					
Height (mm)	525	600	750	750	800	800
Length (mm)	800	800	1100	1100	1250	1400
Width (mm)	450	450	500	550	600	775
Weight (kgs)	120	135	180	220	235	245

ICW Double Comp
chilled water unit



CAPACITIES ARE BASED ON:

CHILLED WATER INLET/OUTLET	7°C / 12°C	Ambient Conditions: 35°C
----------------------------	------------	--------------------------

 PRATIKEL may change the technical specifications and sizes without any prior notice.

Each ICW unit is tested, quality assured and packed safely before leaving IKARUS facilities.





IKARUS IFC fan coil units are manufactured starting from 4,000 btu/h cooling capacity up to any customized capacity. By optional control units, your finger touches are able to control the climate of the conditioned room by the way you like.

IKARUS IFC fan coil units are manufactured with 304 SS cabinet, 304 SS drain pan and blue hydrophilic epoxy coated Cu/Al evaporator. Air filter is fixed in a frame to be removed and washed. Unit has 3 fixing elements to be installed on a convenient space.

For each conditioned room, the required capacity fan coil unit is individually controlled by digital control unit. In order to economize the usage of the fan coil units for the set temperature of the conditioned room, 3-way valve can be used optionally to by-pass the chilled water.

Since 2020, after pandemy is occrued, ISC series have fresh air mixture section for the prevention of long preiod closed circuit. Once the top of the unit is used for blowing of the fan, side gap remains for fresh air inlet, vice verse if the side gap is used for fan blow, top gap is used for fresh air inlet.



MODEL NO	IFC04	IFC06	IFC08	IFC10	IFC12	IFC16	IFC20	IFC24
Capacity (Btu/h)	4.000	6.000	8.000	10.000	12.000	16.000	20.000	24.000
Air Flow (m3/h)	140	160	250	350	450	650	800	1.100
Power Supply	220-240 / 1 Ph / 50 Hz							
Power Consumption (Watt)	80	80	105	105	240	280	355	355
Operating Current (A)	0.32	0.32	0,45	0,45	1.1	1,2	1,55	1,55
Duct Diameter (mm)	100	100	100	125	125	150	150	150
Length (mm)	358	398	448	448	448	498	498	520
Width (mm)	230	250	265	265	265	335	335	350
Height (mm)	240	295	320	320	345	370	395	395
Weight (kgs)	10	12	14	15	17	18	22	25
Water Pipe Dia (mm)	16	16	16	20	20	20	20	20
Drainage Pipe Dia (mm)	20							

PRATI KEL may change the technical specifications and sizes without any prior notice.

CAPACITIES ARE BASED ON:

COOLING	Room Conditions : 19.5°C / 27°C (WB/DB)	Ambient Conditions: 30°C / 19.5°C (WB/DB)
HEATING	Room Conditions : 16°C / 22°C (WB/DB)	Ambient Conditions: 8°C / 16°C (WB/DB)



IFC fan coil unit control unit and motorized 3-way valve

Supply Air Grill, Plenum Box and Return Air Grill for IFC fan coil unit





IKARUS IFC-S Slimline fan coil units are the solution for the narrow installation spaces to condition any room on the boat. Both vertical and horizontal options are available according to the available space.

Slimline fan coil units are also manufactured with 304 SS cabinet, 304 SS drain pan and blue hydrophilic epoxy coated Cu/Al evaporator. Unit has 3 fixing elements to be installed on a convenient space.

After 2020 pandemic conditions, fresh air inlet is optionally available for IKARUS Slimline units. Just on the horizontal version in the picture, the left duct is for fresh air inlet, and the right hand duct is for the fan blow. By this way, a mixture of fresh air is obtained to the conditioned room, therefore the return air subject to have virus is cleaned during the cycle of air.

For each conditioned room, the required capacity fan coil unit is individually controlled by digital control unit. In order to economize the usage of the fan coil units for the set temperature of the conditioned room, 3-way valve can be used optionally to by-pass the chilled water.



IFC-SV VERTICAL SLIMLINE UNIT CHART

MODEL NO	IFC04-SV	IFC06-SV	IFC08-SV	IFC10-SV	IFC12-SV	IFC16-SV
Capacity (Btu/h)	4.000	6.000	10.000	10.000	12.000	16.000
Air Flow (m3/h)	140	160	250	350	450	650
Power Supply	220-240 / 1 Ph / 50 Hz					
Power Consumption (Watt)	80	80	105	105	240	280
Operating Current (A)	0.32	0.32	0.45	0.45	1.1	1.2
Duct Diameter (mm)	100	100	100	125	125	150
Length (mm)	370	370	420	420	420	470
Width (mm)	170	170	170	170	170	170
Height (mm)	471	521	665	665	690	715
Weight (kgs)	10	12	14	15	17	18
Water Pipe Dia (mm)	16	16	16	20	20	20
Drainage Pipe Dia (mm)	20					

IFC-SH HORIZONTAL SLIMLINE UNIT CHART

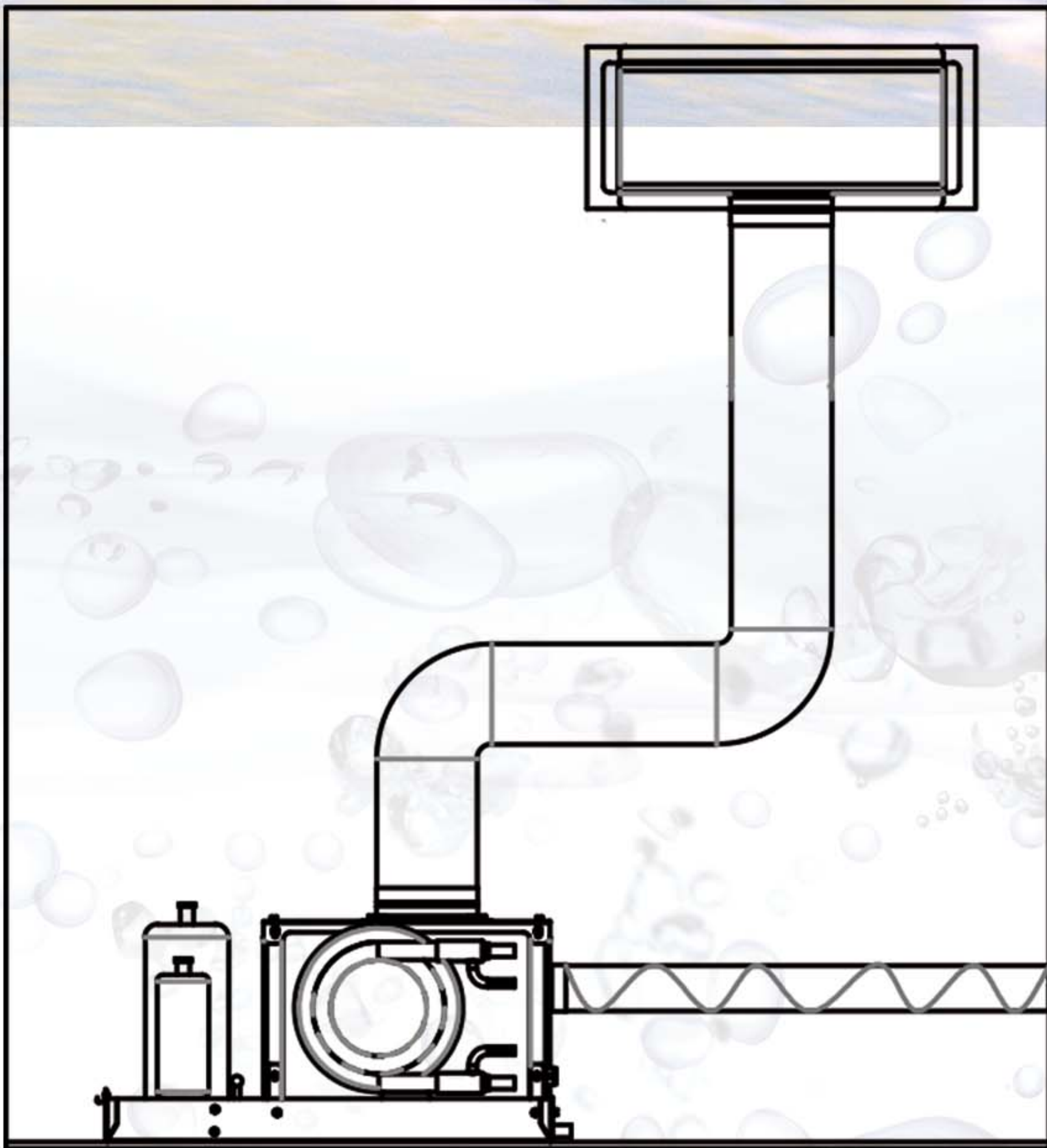
MODEL NO	IFC06-SH	IFC08-SH	IFC10-SH	IFC12-SH	IFC16-SH	IFC20-SH	IFC24-SH
Capacity (Btu/h)	6.000	8.000	10.000	12.000	16.000	20.000	24.000
Air Flow (m3/h)	160	250	350	450	650	800	1.100
Power Supply	220-240 / 1 Ph / 50 Hz						
Power Consumption (Watt)	80	105	105	240	280	355	355
Operating Current (A)	0.32	0.45	0.45	1.1	1.2	1.55	1.55
Duct Diameter (mm)	100	100	125	125	150	150	150
Length (mm)	667	667	667	667	700	700	700
Width (mm)	471	471	471	471	571	571	571
Height (mm)	230	230	230	230	230	230	230
Weight (kgs)	12	14	15	17	18	22	25
Water Pipe Dia (mm)	16	16	20	20	20	20	20
Drainage Pipe Dia (mm)	20						

CAPACITIES ARE BASED ON:

COOLING	Room Conditions : 19.5°C / 27°C (WB/DB)	Ambient Conditions: 30°C / 19.5°C (WB/DB)
HEATING	Room Conditions : 16°C / 22°C (WB/DB)	Ambient Conditions: 8°C / 16°C (WB/DB)

PRATIHEL may change the technical specifications and sizes without any prior notice.



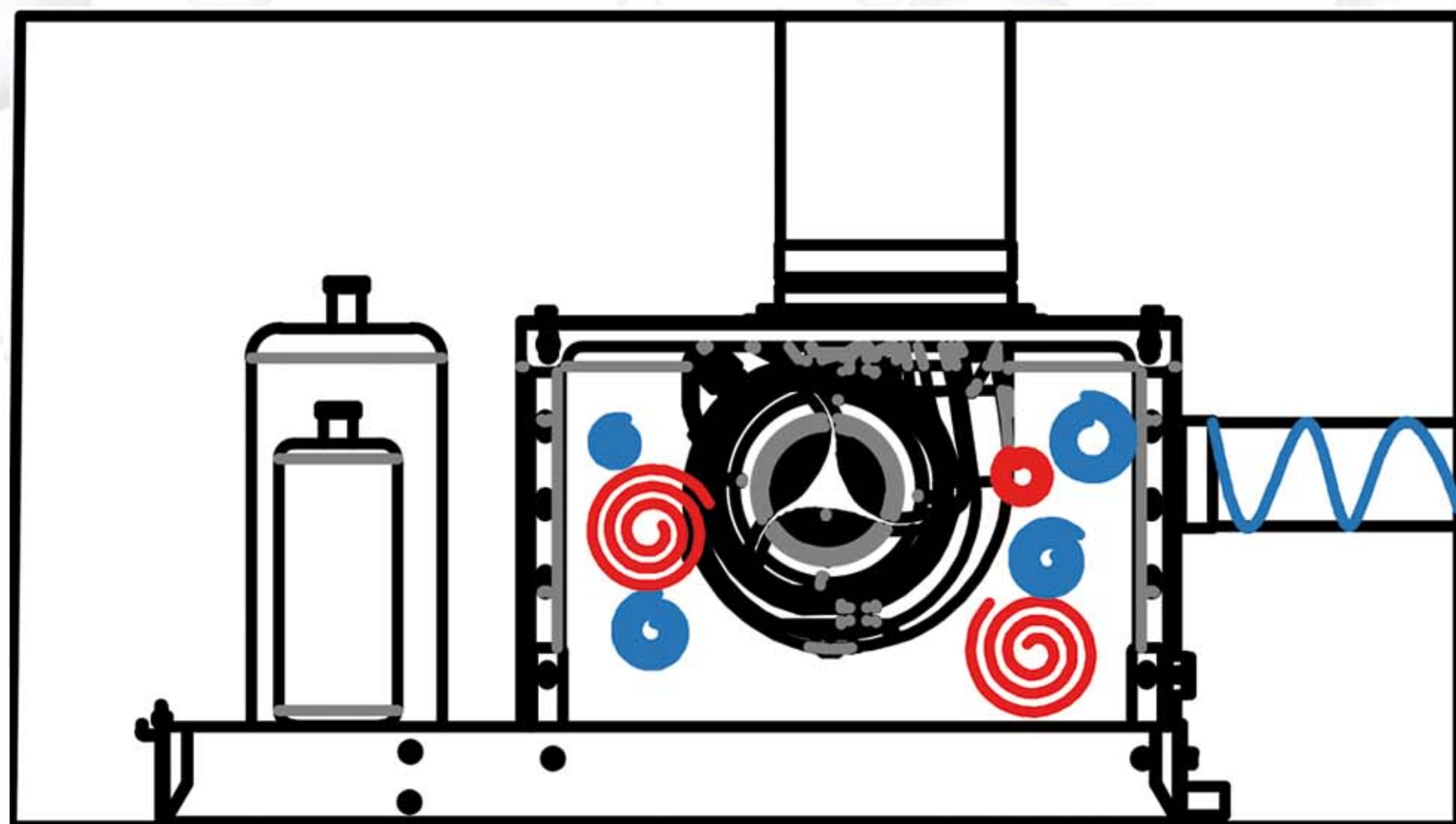


Since 2020, after the world is effected by the covid-19 pandemy, the studies on the mixture of fresh air with the return air got more important. Thus, we developped all ISC and IFC series with an optional inlet to have fresh air in the self-contained units. By this way, possibly infected return air would mix with the healthy fresh air, and the risk of the infection in the room is reduced. As per the drawing on the left, once the top of the unit is used for blowing of the fan, side gap can be used for fresh air inlet if preferred by IKARUS users, vice verse if the side outlet is used for fan blow, top gap is used for fresh air inlet. The direction of the fan blow and fresh air inlet can be determined according to the convenient installation space.

As the subject system is optional during the orders, the default unit comes by return air circulation system as standard.

If you refer to the drawing on the right hand, you will see highlighted view of the mixture, where the red colour stands for the return air and blue one for the fresh air. The ratio of the mixture can be arranged 30-70%, 50-50% or else by a damper, according to the season and performance conditions.

The performance of the unit must be chosen higher in line with the fresh air ratio is preferred higher, since the ambient temperature would be more far than the desired temperature for the conditioned room.



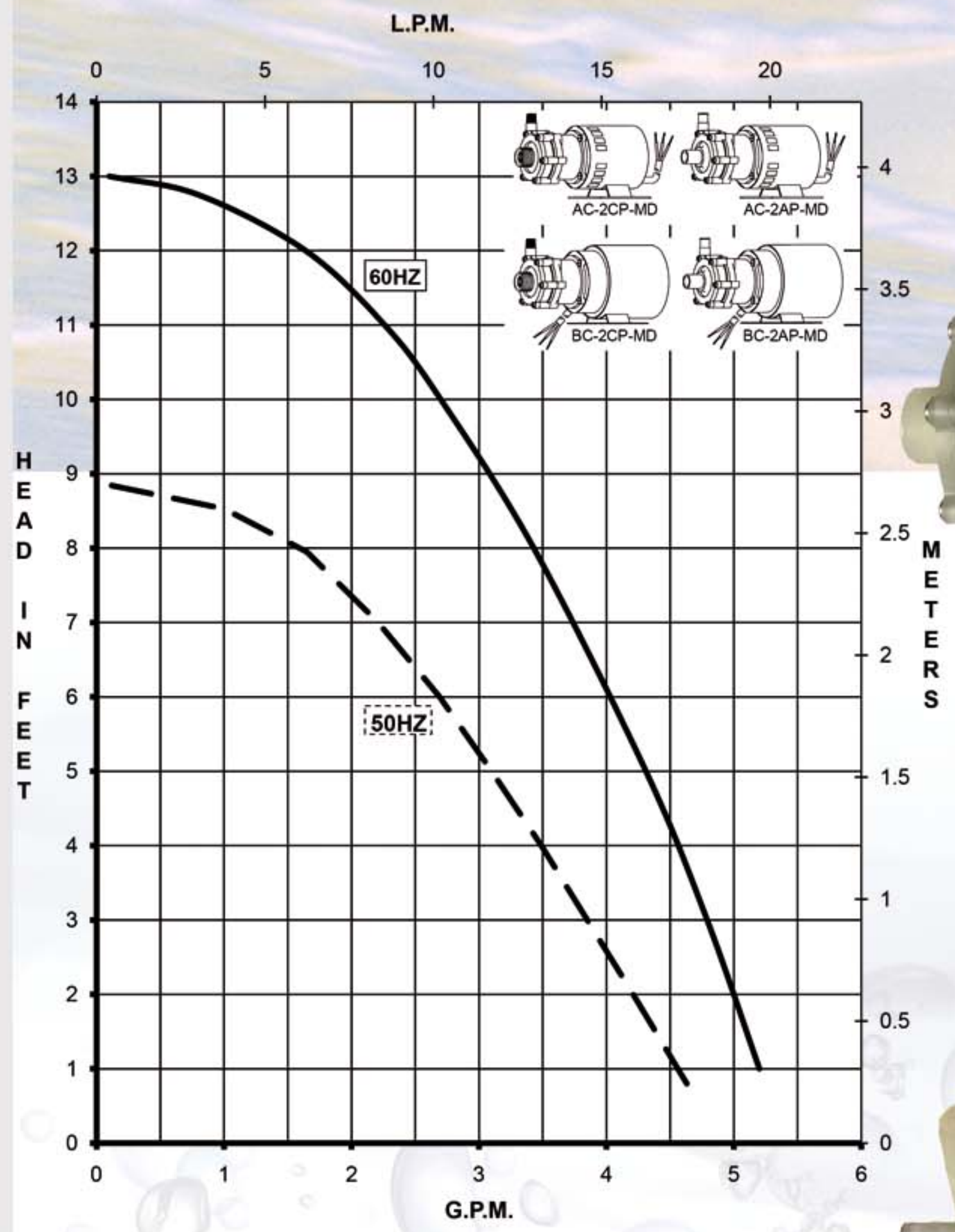
The picture on the left hand is arranged by the side fan blowing and top fresh air intake. In case this pandemy option is not to be used, fresh air intake is closed by the stainless steel cover as seen.

Anticoovid feature is existing currently for all IKARUS indoor units, even self-contained or fan coil units. Therefore, only by adding required air duct and air grills, optionally all users can use this option.

While the pandemy air conditioning principal is getting a must indoor in many countries, why not on the waves for our health.



seawater pump



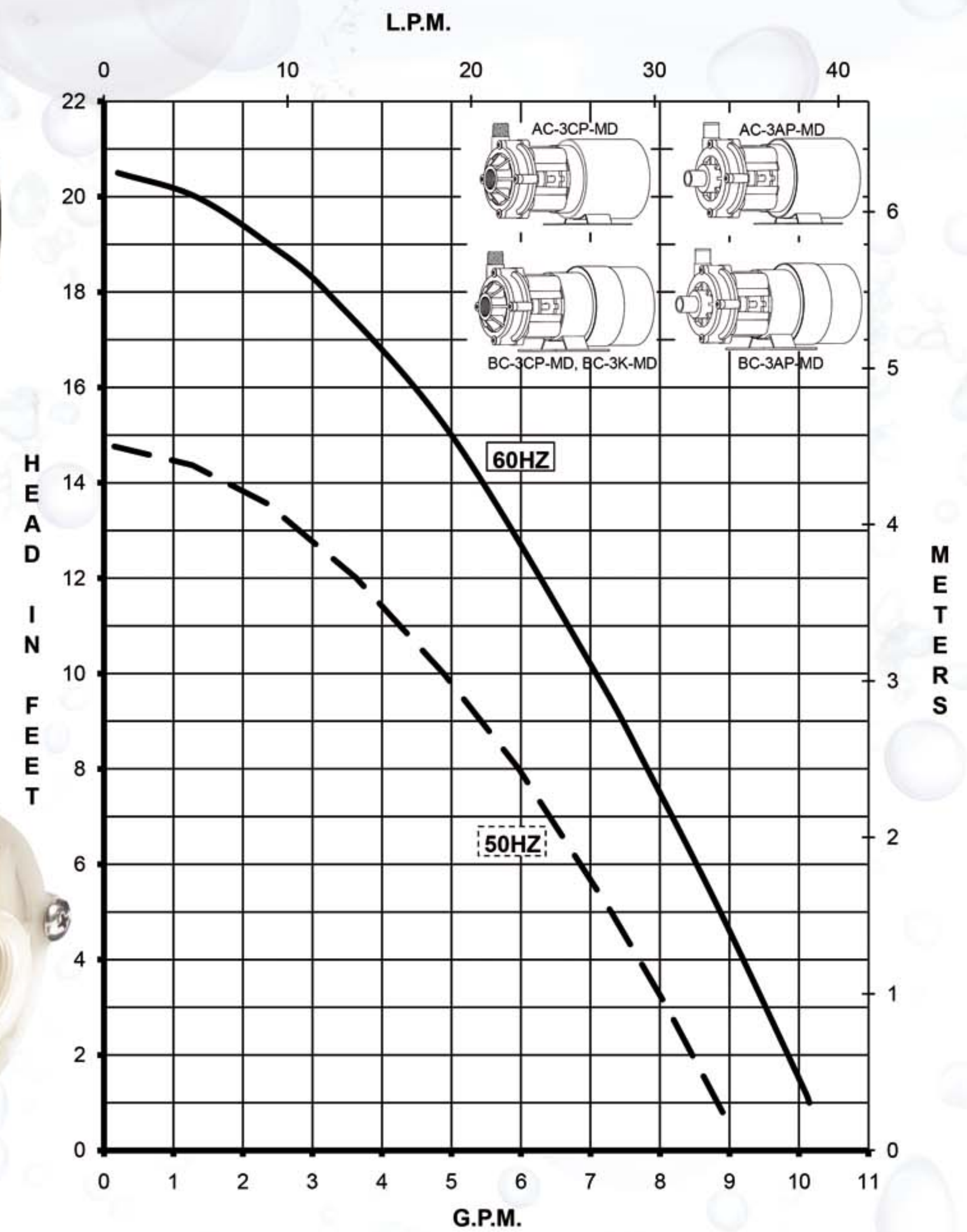
AC-2CP-MDT

For ISC06
Maximum flow: 18.5 lpm
Maximum head: 2.7 m

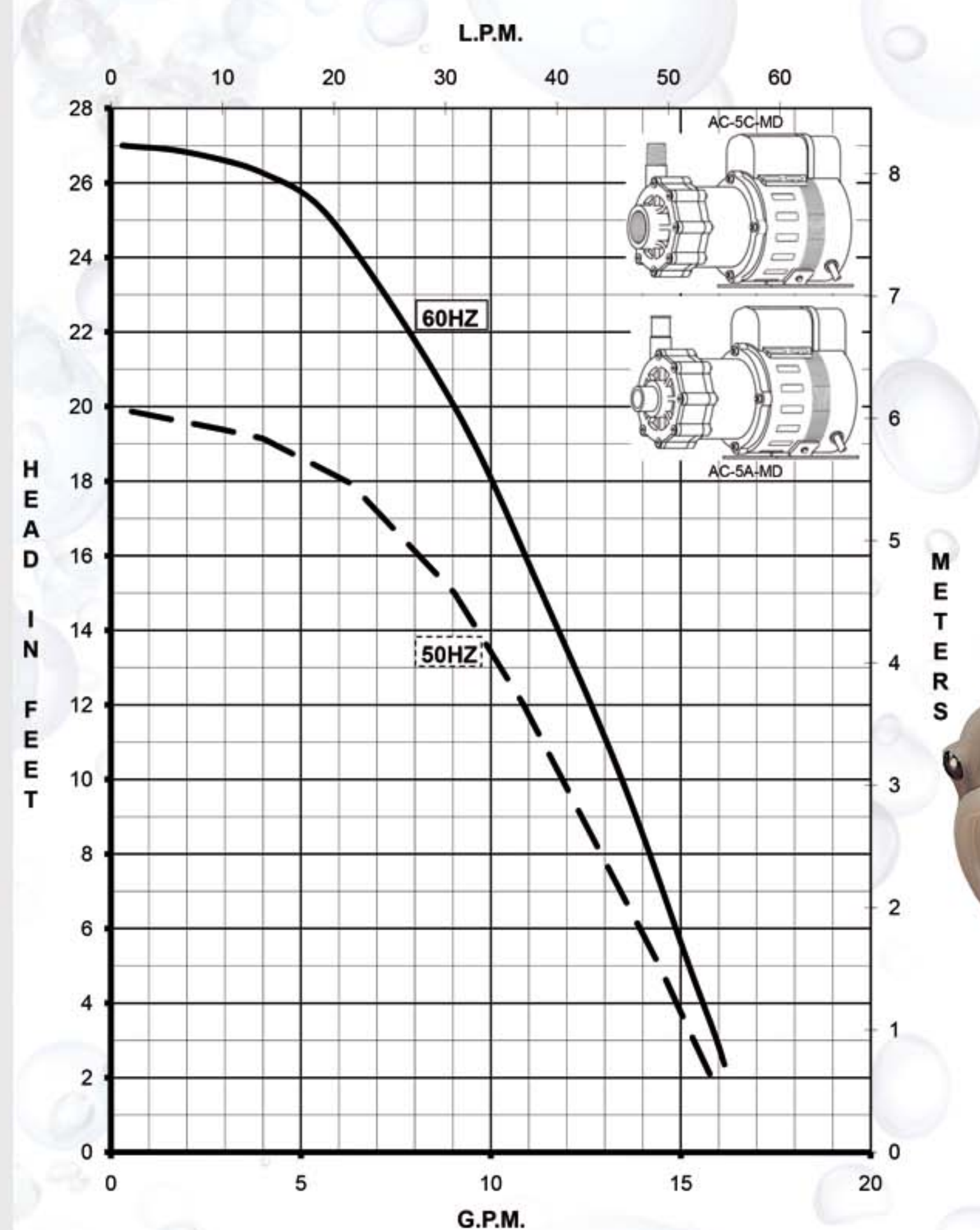


AC-3CP-MDT

For ISC10-16
Maximum flow: 33 lpm
Maximum head: 4.5 m



LC-3CP-MD



AC-5C-MD

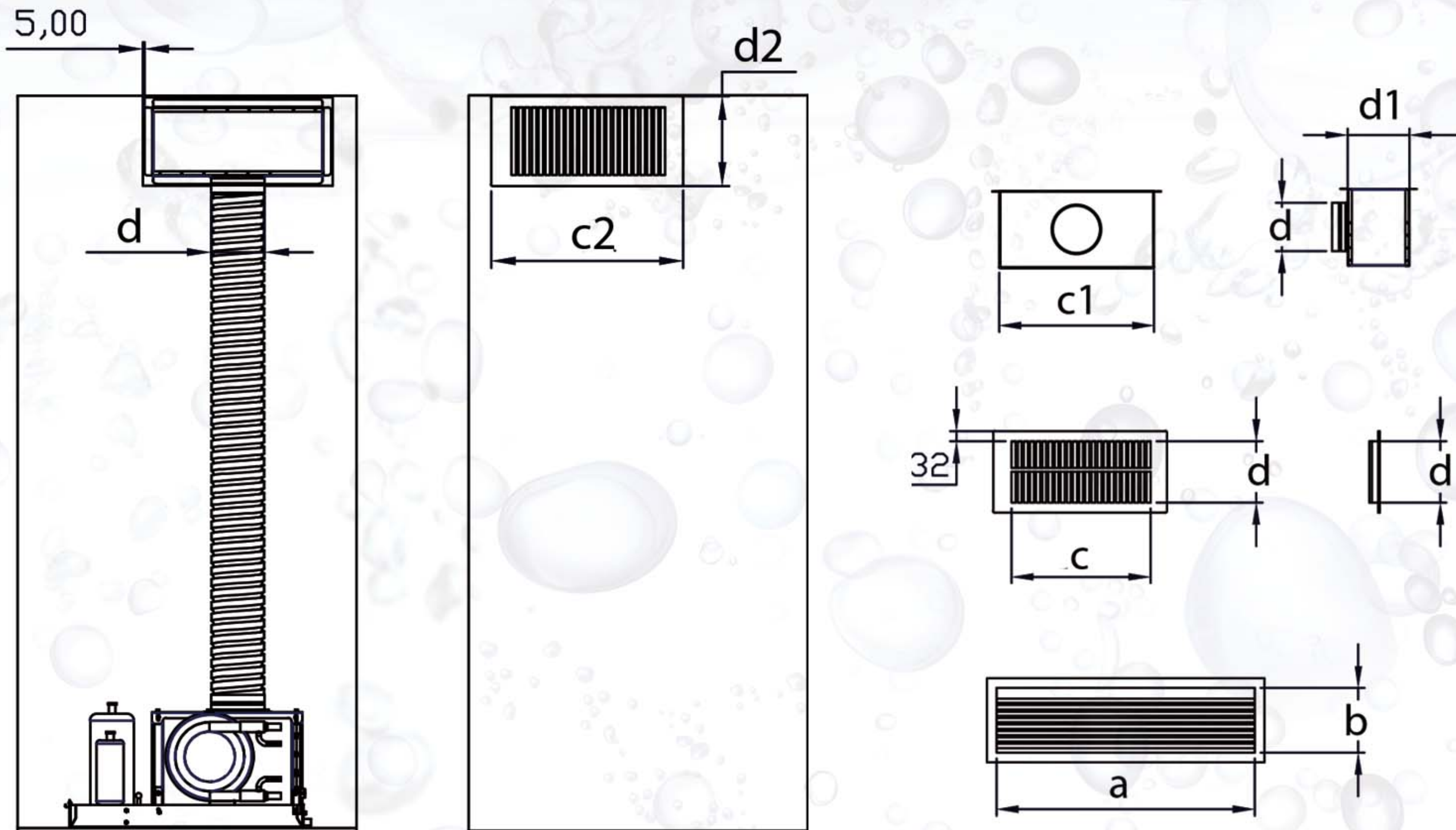
For ISC19-36
Maximum flow: 60.5 lpm
Maximum head: 6.3 m



Pumps are centrifugal magnetic pumps, which are sealless and high resistant to seawater.

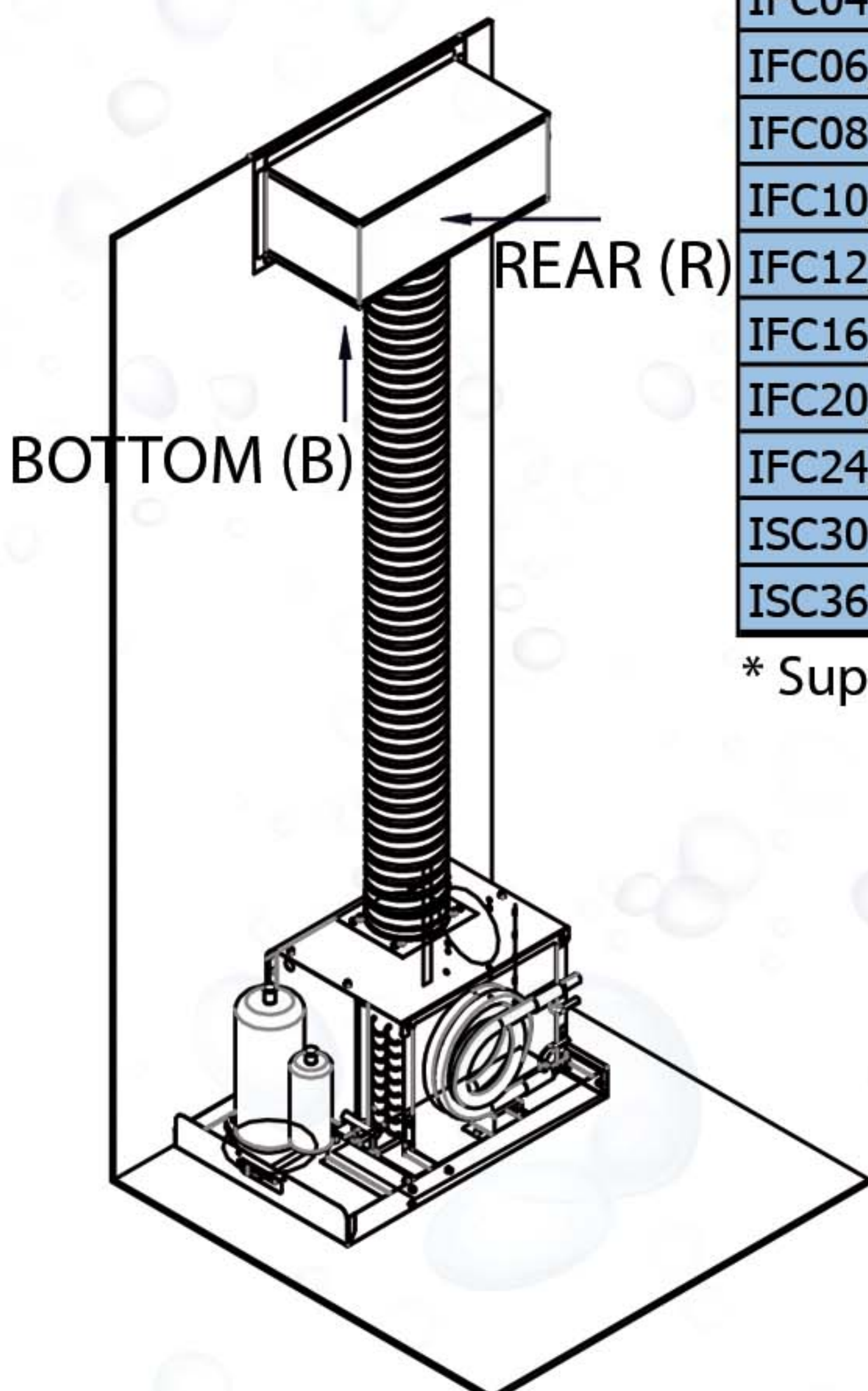
Higher range seawater and chilled water pumps are available according to condensing water flow ranges.





Return air grills are used for suction of the air to the air conditioning system. At the blowing side, the fan is connected to plenum box or boxes through flexible ducts. Plenum box obtains a homogeneous air blow through the supply air grills. Therefore, with each supply air grill, a plenum box has to be used. Air grill material is aluminium as standard, teak is optional. Plenum box material is galvanized steel.

Dimensions of air grills and plenum box is given on chart according to the sketch and air conditioner capacities. On the below sketch the direction of the duct inlet to the plenum box is defined. The order code shall be determined also by taking this direction in account.



MODEL NO	a	b	c	d	c1	d1	c2	d2
IFC04	250	100	200	100	215	115	264	164
IFC06/ISC06	250	100	200	100	215	115	264	164
IFC08	250	100	250	100	265	115	314	164
IFC10/ISC10	250	100	250	100	265	115	314	164
IFC12/ISC13	250	150	300	125	315	140	364	189
IFC16/ISC16	300	200	300	125	315	140	364	189
IFC20/ISC19	300	200	300	125	315	140	364	189
IFC24/ISC24	400	200	400	150	415	165	464	214
ISC30*	800	200	300	125	315	140	364	189
ISC36*	800	200	300	125	315	140	364	189

* Supply air grill and plenum box is 2 pcs for ISC30 and ISC36 (feed by double air outlets)

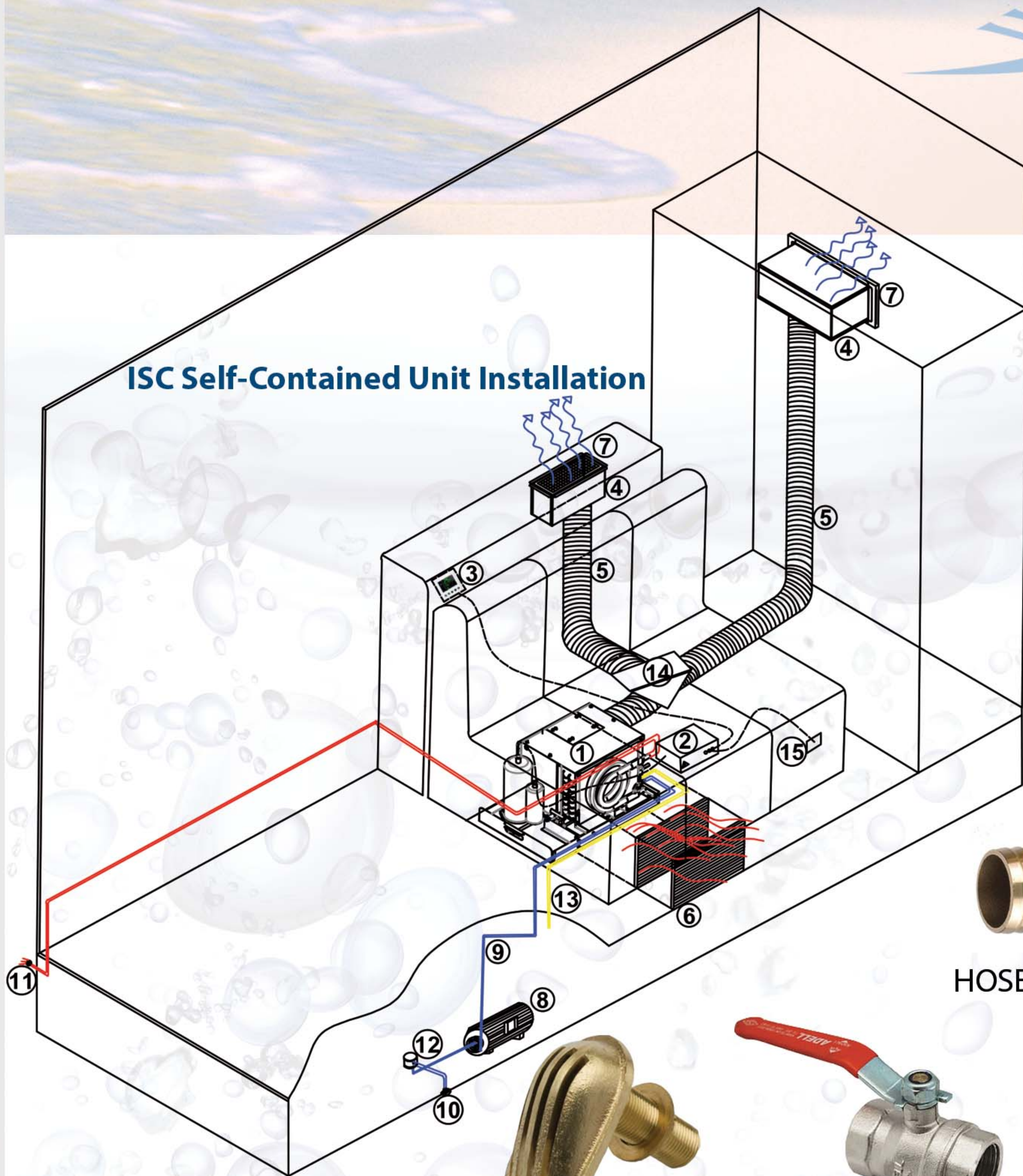
** All dimensions in mm

ORDER CODES

MODEL NO	RETURN AIR GRILL	SUPPLY AIR GRILL	PLENUM BOX	
			BOTTOM INLET	REAR INLET
IFC04	IRG0610	ISG0048	PB048-102B	PB48-102R
IFC06/ISC06	IRG0610	ISG0048	PB048-102B	PB48-102R
IFC08	IRG0610	ISG0410	PB410-127B	PB410-127R
IFC10/ISC10	IRG0610	ISG0410	PB410-127B	PB410-127R
IFC12/ISC13	IRG0610	ISG0512	PB512-127B	PB512-127R
IFC16/ISC16	IRG0812	ISG0512	PB512-152B	PB512-152R
IFC20/ISC19	IRG0812	ISG0512	PB512-152B	PB512-152R
IFC24/ISC24	IRG0816	ISG0616	PB616-152B	PB616-152R
ISC30	IRG1232	2xISG0512	2xPB512-152B	2xPB512-152R
ISC36	IRG1232	2xISG0512	2xPB512-152B	2xPB512-152R

PRATIHEL may change any specifications without any prior notice.

do it yourself (DIY) kit



ISC Self-Contained Unit Installation

- 1- ISC self contained unit
- 2- Control box
- 3- IKARUS control unit
- 4- Plenum box
- 5- Flexible air duct
- 6- Return air grill
- 7- Supply air grill
- 8- Seawater pump
- 9- Condenser hose
- 10- Seawater intake
- 11- Seawater outlet
- 12- Seawater filter
- 13- Drainage line
- 14- Y-splitter
- 15- Power supply



SEAWATER INLET

BALL VALVE

SEAWATER OUTLET

DO IT YOURSELF KIT CODE FOR UNIT	DIY-0006 ISC06	DIY-1013 ISC10-13	DIY-1624 ISC16-24	DIY-0030 ISC30	DIY-0036 ISC36
Condenser seawater hose			15 mt x 3/4"		
Drainage hose			3 mt x 3/4"		
Isolated flexible air duct	3 mt x 100 mm	3 mt x 125 mm	3 mt x 150 mm	6 mt x 150 mm	6 mt x 150 mm
Seawater intake			1 pc x 3/4"		
Seawater filter			1 pc x 3/4"		
Seawater outlet			1 pc x 3/4"		
Ball valve			1 pc x 3/4"		
Hose sleeve			4 pc x 3/4"		
Chrome clamp			10 pcs x 3/4"		
Muff			1 pc x 3/4"		
Air duct installation clamp chrome	2 pcs	2 pcs	2 pcs	4 pcs	4 pcs

ISOLATED AIR DUCT



CLAMP

SEAWATER FILTER

CONDENSER HOSE

10





capacity chart

Conditioned room dimensions, its placement on the boat, and the heat sources effects the air conditioner capacity to be installed. An approximate idea about the capacities are given in the below chart. LOWER DECK, MID-DECK, UPPER DECK and PILOT HOUSE have different coefficients according to the volume of the room to be conditioned. Accordingly, you can calculate an approximate capacity by the below chart. PRATIHEL does not guarantee the capacity values given below, as it is effected by different parameters.

V(cbm)	LOWER	MID	UPPER	PILOT	V(cbm)	LOWER	MID	UPPER	PILOT	V(cbm)	LOWER	MID	UPPER	PILOT
1	400	500	600	750	51	20400	25500	30600	38250	101	40400	50500	60600	75750
2	800	1000	1200	1500	52	20800	26000	31200	39000	102	40800	51000	61200	76500
3	1200	1500	1800	2250	53	21200	26500	31800	39750	103	41200	51500	61800	77250
4	1600	2000	2400	3000	54	21600	27000	32400	40500	104	41600	52000	62400	78000
5	2000	2500	3000	3750	55	22000	27500	33000	41250	105	42000	52500	63000	78750
6	2400	3000	3600	4500	56	22400	28000	33600	42000	106	42400	53000	63600	79500
7	2800	3500	4200	5250	57	22800	28500	34200	42750	107	42800	53500	64200	80250
8	3200	4000	4800	6000	58	23200	29000	34800	43500	108	43200	54000	64800	81000
9	3600	4500	5400	6750	59	23600	29500	35400	44250	109	43600	54500	65400	81750
10	4000	5000	6000	7500	60	24000	30000	36000	45000	110	44000	55000	66000	82500
11	4400	5500	6600	8250	61	24400	30500	36600	45750	111	44400	55500	66600	83250
12	4800	6000	7200	9000	62	24800	31000	37200	46500	112	44800	56000	67200	84000
13	5200	6500	7800	9750	63	25200	31500	37800	47250	113	45200	56500	67800	84750
14	5600	7000	8400	10500	64	25600	32000	38400	48000	114	45600	57000	68400	85500
15	6000	7500	9000	11250	65	26000	32500	39000	48750	115	46000	57500	69000	86250
16	6400	8000	9600	12000	66	26400	33000	39600	49500	116	46400	58000	69600	87000
17	6800	8500	10200	12750	67	26800	33500	40200	50250	117	46800	58500	70200	87750
18	7200	9000	10800	13500	68	27200	34000	40800	51000	118	47200	59000	70800	88500
19	7600	9500	11400	14250	69	27600	34500	41400	51750	119	47600	59500	71400	89250
20	8000	10000	12000	15000	70	28000	35000	42000	52500	120	48000	60000	72000	90000
21	8400	10500	12600	15750	71	28400	35500	42600	53250	121	48400	60500	72600	90750
22	8800	11000	13200	16500	72	28800	36000	43200	54000	122	48800	61000	73200	91500
23	9200	11500	13800	17250	73	29200	36500	43800	54750	123	49200	61500	73800	92250
24	9600	12000	14400	18000	74	29600	37000	44400	55500	124	49600	62000	74400	93000
25	10000	12500	15000	18750	75	30000	37500	45000	56250	125	50000	62500	75000	93750
26	10400	13000	15600	19500	76	30400	38000	45600	57000	126	50400	63000	75600	94500
27	10800	13500	16200	20250	77	30800	38500	46200	57750	127	50800	63500	76200	95250
28	11200	14000	16800	21000	78	31200	39000	46800	58500	128	51200	64000	76800	96000
29	11600	14500	17400	21750	79	31600	39500	47400	59250	129	51600	64500	77400	96750
30	12000	15000	18000	22500	80	32000	40000	48000	60000	130	52000	65000	78000	97500
31	12400	15500	18600	23250	81	32400	40500	48600	60750	131	52400	65500	78600	98250
32	12800	16000	19200	24000	82	32800	41000	49200	61500	132	52800	66000	79200	99000
33	13200	16500	19800	24750	83	33200	41500	49800	62250	133	53200	66500	79800	99750
34	13600	17000	20400	25500	84	33600	42000	50400	63000	134	53600	67000	80400	100500
35	14000	17500	21000	26250	85	34000	42500	51000	63750	135	54000	67500	81000	101250
36	14400	18000	21600	27000	86	34400	43000	51600	64500	136	54400	68000	81600	102000
37	14800	18500	22200	27750	87	34800	43500	52200	65250	137	54800	68500	82200	102750
38	15200	19000	22800	28500	88	35200	44000	52800	66000	138	55200	69000	82800	103500
39	15600	19500	23400	29250	89	35600	44500	53400	66750	139	55600	69500	83400	104250
40	16000	20000	24000	30000	90	36000	45000	54000	67500	140	56000	70000	84000	105000
41	16400	20500	24600	30750	91	36400	45500	54600	68250	141	56400	70500	84600	105750
42	16800	21000	25200	31500	92	36800	46000	55200	69000	142	56800	71000	85200	106500
43	17200	21500	25800	32250	93	37200	46500	55800	69750	143	57200	71500	85800	107250
44	17600	22000	26400	33000	94	37600	47000	56400	70500	144	57600	72000	86400	108000
45	18000	22500	27000	33750	95	38000	47500	57000	71250	145	58000	72500	87000	108750
46	18400	23000	27600	34500	96	38400	48000	57600	72000	146	58400	73000	87600	109500
47	18800	23500	28200	35250	97	38800	48500	58200	72750	147	58800	73500	88200	110250
48	19200	24000	28800	36000	98	39200	49000	58800	73500	148	59200	74000	88800	111000
49	19600	24500	29400	36750	99	39600	49500	59400	74250	149	59600	74500	89400	111750
50	20000	25000	30000	37500	100	40000	50000	60000	75000	150	60000	75000	90000	112500

PRATIHEL may change any specifications without any prior notice.



Pratikel Dis Ticaret Ltd.
Halkapinar Mh. 1490 Sk. No. 5/12 Konak 35170 Izmir, Turkey
Tel: +90 232 459 8554
E-mail: ikarus@pratikel.com.tr



IKARUS

www.ikarusair.com

